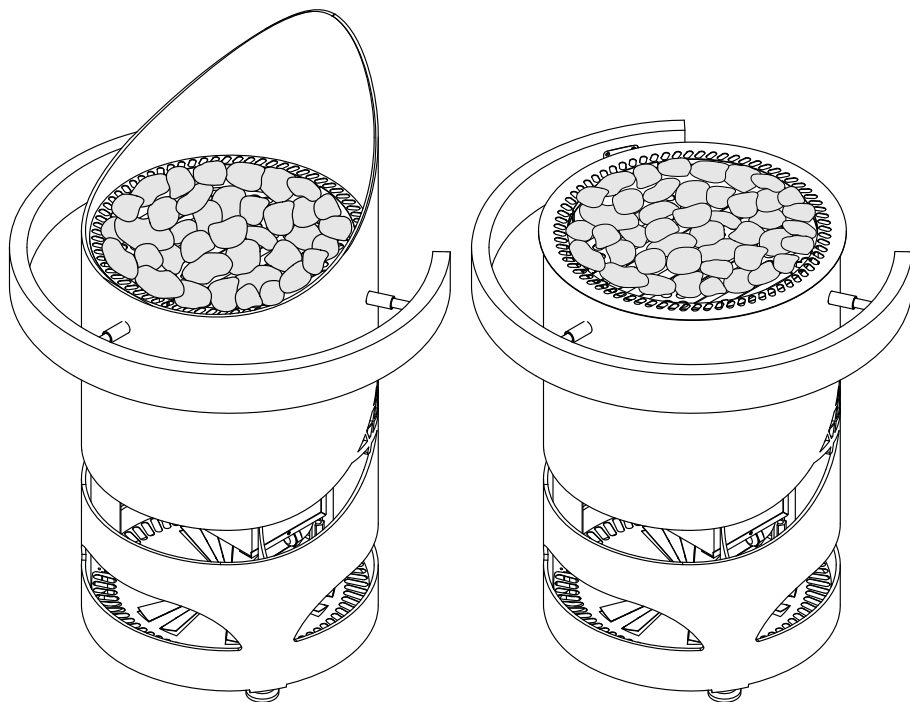


EOS Zeus S / EOS Zeus SL

Heater for Sauna Cabins



Installation and Operating Instructions

Made in Germany

Documentation

Manufacturer

EOS Saunatechnik GmbH

Schneiderstriesch 1

35759 Driedorf, Germany

Tel. +49 2775 82-514

Fax +49 2775 82-431

Email servicecenter@eos-sauna.com

Web www.eos-sauna.com

Original installation instructions EN







Copyright for these installation instructions remains with EOS Saunatechnik GmbH.

Copyright as per DIN ISO 16016:

The copying and distribution of this document, as well as the use and communication of its contents without express authorisation, are not permitted. Compensation will be claimed in the event of infringements.

All rights reserved with regard to patent claims or submission of design or utility patent.

Characters, symbols and illustrations

-  Additional information about an operating step
-  Cross-reference to a page
-  Read instructions
-  Result of a step
-  Table title
-  Title of figure

Revision history

Date	Version	Description
1 Dec. 2020	01.00	First version

Contents

Documentation	EN-2
1 General safety instructions	EN-5
1.1 Safety levels	EN-5
1.2 Mounting and electrical installation	EN-6
1.3 Operator instruction	EN-9
1.4 Standards and regulations	EN-10
2 Identification	EN-11
2.1 Requirements for operation	EN-11
2.2 Nameplate	EN-11
2.3 Scope of delivery	EN-12
2.4 Intended use	EN-13
2.5 Technical data	EN-14
3 Installation	EN-17
3.1 Specifications for the cabin	EN-17
3.1.1 Installation site	EN-18
3.1.2 Air inlets and outlets	EN-19
3.1.3 Connection cable	EN-22
3.2 Temperature sensor	EN-22
3.3 Installing the heater	EN-23
3.4 Installing the heater guard rail (optional)	EN-25
4 Connections	EN-31
4.1 General instructions for electrical installation	EN-31
4.2 Connections	EN-31
4.2.1 Terminal diagram 6 kW/7.5 kW/9 kW	EN-32
4.2.2 Terminal diagram 10.5 kW/12 kW	EN-33
4.2.3 Internal wiring 6 kW–12 kW	EN-33
4.2.4 Establishing an electrical connection	EN-35
4.3 Heating time limitation	EN-36

5	Commissioning	EN-37
5.1	Filling stones.....	EN-38
5.2	Starting the heater	EN-39
5.3	Commissioning by remote control	EN-39
5.4	Water splash	EN-40
6	Maintenance	EN-41
6.1	Cleaning the heater	EN-41
6.2	Replacing sauna stones	EN-42
6.3	Replacing the tubular heating elements.....	EN-43
6.4	Troubleshooting	EN-50
7	General terms and conditions of service	EN-51
8	Disposal	EN-54

1 General safety instructions

1.1 Safety levels

Safety instructions and important operating instructions are classified. Please familiarise yourself with the following terms and symbols:

WARNING

Warning

Indicates a hazardous situation which, if not avoided, could result in death or serious injury.

CAUTION

Caution

Indicates a hazardous situation which, if not avoided, could result in minor or moderate injury.

NOTICE

Notice

Indicates a hazardous situation which, if not avoided, will result in damage to the unit.

1.2 Mounting and electrical installation



These installation instructions are intended for qualified personnel familiar with the laws and regulations applicable to electrical installations at the installation site. Observe the following general safety instructions during mounting, configuration and commissioning of the product.

Risk to life and limb and risk of fire

Risk to life and limb from electric shock and fire in the event of improper or faulty electrical connection. This risk also applies following completion of the installation work.

- ▶ The electrical installation of the heater, relay boxes and other electrical systems or equipment with a fixed mains connection must only be performed by a trained electrician from an authorised electrical company.
- ▶ Ensure compliance with the applicable standards and regulations for electrical installation.
- ▶ The system must be disconnected and removed entirely from the mains supply before commencing installation and repair work.
- ▶ The housing cover must only be removed by a specialist.

Fire hazard from overheating

Insufficient ventilation can lead to device overheating and fire.

- ▶ Install the air inlet and outlet in the cabin.
- ▶ Observe the cabin manufacturer's safety and installation instructions.

Risk of fire due to sauna stones

It is possible for hot stones or stone pieces to fall out of the rock store.

- ▶ The sauna heater may not be placed on a floor made of easily flammable material (e.g. laminate or synthetic flooring). Ceramic tiles are recommended as a flooring option.

Risk of burns from hot glass

Glass surfaces in the cabin become hot while the sauna is in operation.

- ▶ When installing the cabin, ensure that the touchable glass surfaces on the outside of the cabin may reach a maximum temperature of 76°C. Appropriate protection may need to be installed if required.

Risk of burns from hot unit

During operation, the sauna heater may become hot and, if touched, could cause burns.

- ▶ Maintain a safe distance.

Sauna cabin and heater

The sauna cabin must be constructed with proper material and built in a professional manner, and the heater must be suited for the cabin.

- ▶ Sauna heaters and control units may only be used in sauna cabins made of suitable, low-resin and untreated material (e.g. Nordic spruce).
- ▶ Multiple heaters may be installed in one sauna if the heater output can properly supply the cabin volume. In this case, depending on the position, an additional safety temperature limiter must be installed for each additional heater.

- ▶ The sauna heater is not designed to be installed or set up in an alcove or under a bench or sloping roof unless the sauna heater is specifically designed and approved for this type of installation.
- ▶ Receptacles may not be installed inside the sauna cabin.
- ▶ Each sauna cabin must have air inlets and outlets. The air inlets and outlets may be installed below or behind the sauna heater, approx. 5 to 10 cm above the floor. The minimum dimensions of the air inlets and outlets can be found here: 2.5 Technical data, ☐ EN-14, 3.1.2 Air inlets and outlets, ☐ EN-19.
- ▶ The exhaust openings are always installed in the lower part of the wall diagonal to the sauna heater. The supply and exhaust openings must not be closed. Please observe the instructions provided by your sauna cabin manufacturer.
- ▶ Use one of the control units listed below to check and control the sauna heater. This control unit is fixed to a suitable location on the cabin's external wall, and the corresponding sensor housings according to the installation instructions that accompany the control units inside the sauna cabin.
- ▶ The cabin lighting must be safe for sauna cabin use and installed in such a way that it can be used safely in a sauna cabin. Ensure that the heater is installed in compliance with the standards and legal norms valid in your country.
- ▶ The cabin door must open outward and must not have a lock that cannot be opened in the case of failure. We recommend magnetic or spring locks.

1.3 Operator instruction

The operator of the sauna cabin must be instructed in the general safety instructions during commissioning. The operator must be given a copy of the operating instructions.

Risk of electric shock

A risk to life and limb from electric shock and fire arises in the event of improper repair work. This risk also applies after work is completed.

- ▶ The housing cover must only be removed by a specialist.
- ▶ Repairs and installations must only be performed by a trained specialist.
- ▶ The system must be disconnected and removed entirely from the mains supply before commencing repair work.
- ▶ Use only original spare parts from the manufacturer.

Fire hazard



Objects placed on the heater can easily be ignited and cause fires.

- ▶ Do not place objects on the heater.
- ▶ Fill the rock store as directed.
- ▶ Inspect the sauna cabin prior to each commissioning.
- ▶ If you switch on the heater using pre-set timers or a remote control, attach a protective cover to the heater or install a suitable safety device.

Health risks

Spending time in a sauna cabin can lead to serious health risks or even death for persons with health impairments.

- ▶ Persons with health impairments who spend time in a sauna must consult a doctor before entering a sauna cabin.

Damage to health

Excessive time spent in a heated sauna cabin can lead to overheating of the body (hyperthermia), which may cause serious health problems and even death. Hyperthermia occurs when the core temperature of the body exceeds the norm by a few degrees. Symptoms of hyperthermia include fever, dizziness, lethargy, sleepiness, and fainting. Side effects of hyperthermia include perception disorders, inability to recognize the need to leave the room, inability to identify imminent danger, harm to the foetus in the case of pregnant women, inability to physically leave the room, unconsciousness.

Alcohol, drugs, and medications increase the risk of hyperthermia.

- ▶ Do not exceed the maximum recommended time in the sauna.
- ▶ Leave the sauna cabin if your body responds abnormally to the heat or if you do not feel well.
- ▶ Avoid alcohol, drugs, and medications when you are using the sauna.

Operating the unit

This unit should not be used by children or persons with reduced mental capacity or limited physical or sensory abilities. Children must not play with the unit. Cleaning and user maintenance must not be performed by children.

- ▶ Children must be supervised to ensure they do not play with the unit.

1.4 Standards and regulations

For an overview of the standards that were observed during design and construction of the sauna heaters, please refer to the individual product's technical data sheet that can be downloaded from www.eos-sauna.com.

2 Identification

Zeus S/SL is an electrically heated Finnish sauna heater available in a variety of output capacities.


- Zeus S is designed for installation in a cabin corner or in front of a wall. It is equipped with an asymmetrical, elevated outer casing (plate).
- Zeus SL is designed for installation in the middle of the cabin.

2.1 Requirements for operation

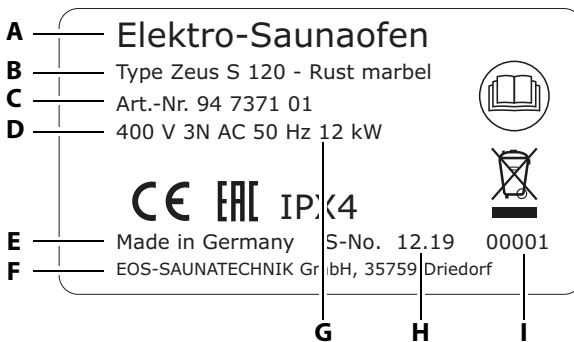
The heater is operated with one of the following control units:


- Econ series
- EmoTec series
- EmoStyle series
- EmoTouch series

The control unit is not included in the scope of delivery.

An output controller is required for the output capacities 10.5 kW and 12 kW. See 2.5 Technical data,  EN-14.

2.2 Nameplate

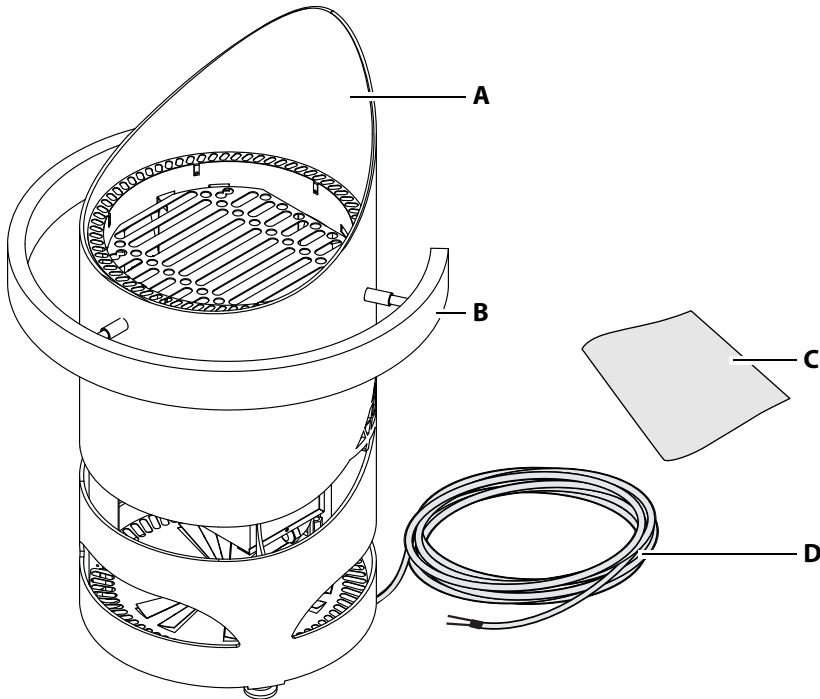


- | | |
|---|-----------------------------|
| A Name | F Manufacturer |
| B Model | G Heater output |
| C Item number | H Manufacturing date |
| D Electrical connection | I Serial number |
| E Country of origin | |
|  Nameplate (example) | |

2.3 Scope of delivery

Check the delivery to ensure that all components were delivered and that the unit is in proper working order. Contact your distributor if components are missing or damaged. The unit must not be operated if components are missing or damaged.

The following parts are included in the scope of delivery:




A Zeus S

C Installation instructions

B Heater guard rail (optional)

D Connection cable *

 Scope of delivery – Zeus S as example

* Two separate lines for output capacities 10.5 kW and 12 kW.

Heater guard rail (optional)

A heater guard rail may be placed around the upper edge of the heater. It prevents accidental contact with hot parts of the heater.

Accessories (optional)		Item no.
Heater guard rail 270°	Walnut	94.7092
	Abachi	94.7100
Heater guard rail 360°	Walnut	94.7093
	Abachi	94.7101
Installation kit		94.6761
Sauna stones, approx. 25 kg		94.7337

2.4 Intended use

The EOS Zeus S/SL sauna heater is designed solely to heat sauna cabins that have a regulator with the appropriate output capacity.

EOS Zeus S/SL is a free-standing sauna heater that is suitable for commercially used cabins.



The heater is not suitable for outdoor use.

It must be operated only inside buildings and may not be exposed to environmental conditions such as extreme humidity and moisture or the possible formation of condensation or

corrosive substances in the ambient air, as well as other weather conditions.

Any use beyond this is considered improper use. Proper use also includes compliance with operating, maintenance and servicing requirements.

The manufacturer is not responsible for unauthorised modifications and damages resulting from these modifications; the person modifying the equipment alone shall bear the associated risk.

Foreseeable misuse

The following are considered instances of foreseeable misuse:

- The unit is operated without knowledge of or compliance with the safety instructions.
- Operating, service and maintenance requirements are not observed.
- The unit is operated by children or persons with reduced mental capacity or by persons who have not been thoroughly instructed in its use.

General instructions

- Please note that an optimal sauna climate can be achieved only if the cabin with its air inlets and outlets, the sauna heater, and the control unit are synchronized.
- Observe the specifications and information provided by your sauna retailer.
- The sauna heaters heat the sauna cabin with heated convection air. Fresh air is drawn in through the air inlet. It is warmed and rises (convection) and is then circulated in the cabin. Some of the used air is pushed out of the cabin through the cabin's air outlet. This creates a typical sauna climate in which temperatures of approx. 110°C are achieved directly below the ceiling. These temperatures drop to approx. 30-40°C in the cabin along the floor. Therefore, it is not unusual that if the temperature sensor above the heater reads 110°C, the thermometer that is mounted approx. 20–25 cm below the cabin ceiling on the sauna wall reads only 85°C. When the max. temperature is set for the area around the upper sauna bench, the bathing temperature is typically between 80°C and 90°C.
- Please note that the highest temperatures in the cabin are always above the sauna heater and that is where the temperature sensor and safety temperature limiter should be mounted according to the installation instructions for the control units.
- The first time the cabin is heated, you may notice a slight odour resulting from the evaporation of consumables used in the manufacturing processes. Air out your cabin once it has been heated and before using the sauna.

2.5 Technical data

Electrical connection – lines

- Electrical connection: 400 V 3N AC 50 Hz
- Leakage current: max. 0.75 mA per kW heater output

Heater output	Connection mains – control unit	Connection control unit – heater	Connection mains – output controller	Connection output controller – heater	Connection control unit – output controller
6.0 kW	5 x 2.5 mm ²	5 x 1.5 mm ²	-	-	-
7.5 kW					
9.0 kW					
10.5 kW			5 x 2.5 mm ²	5 x 1.5 mm ²	4 x 1.5 mm ²
12 kW					

Electrical connection – fuse protection

Heater output	Fuse protection for control unit	Fuse Output controller (LSG)
6.0 kW	3 x 16 A	-
7.5 kW		
9.0 kW		
10.5 kW		3 x 16 A
12 kW		

Heater

Heater output	Unit dimensions Ø x H in cm	Weight without rocks Zeus S/ Zeus SL*	Stone filling	Output controller (LSG)
6.0 kW	Ø 45 x 100 mm *Ø 45 x 70 mm	67 kg *62 kg	25 kg	-
7.5 kW				
9.0 kW				
10.5 kW		68 kg *63 kg		LSG 9 LSG 18
12 kW				

Cabin

Heater output	Cabin volume	Minimum size of air inlet and outlet	Output controller (LSG)	Control system
6.0 kW	6–8 m ³	35 x 5 cm	-	Econ series EmoTec series EmoStyle series EmoTouch series
7.5 kW	7–10 m ³	~ Ø 18 cm		
9.0 kW	9–14 m ³	35 x 6 cm		
10.5 kW	11–15 m ³	~ Ø 18 cm	LSG 9 LSG 18	
12 kW	14–18 m ³	35 x 7 cm ~ Ø 18 cm		

3 Installation

This chapter describes how to install the Zeus S/SL. Prior to installing the unit, air inlets and outlets must be installed in the cabin. It may be necessary to mount additional fans in the inlets/outlets. All protective films must be removed.

NOTICE

Damage due to incorrect mounting location

The heater is not suitable for outdoor use.

- ▶ The heater must be operated only inside buildings and may not be exposed to environmental conditions such as extreme humidity and moisture or the possible formation of condensation or corrosive substances in the ambient air, as well as other weather conditions.
- ▶ The heater is not designed to be installed or set up in an alcove or under a bench or sloping roof.

3.1 Specifications for the cabin

The cabin must be planned and installed according to specifications before the sauna heater is installed.

The floor on which the sauna heater stands must be level. In general, it should be noted that the sauna heater must not be set on a floor made of highly flammable material (laminated, flooring made of plastic material, etc.). Ceramic tiles are recommended as a flooring option.


Electrical lines

All electrical installations laid inside the cabin must be suitable for silicone cables and a temperature of at least 170°C.

All lines must be routed in such a way that they are well-protected, e.g. in a cable duct.

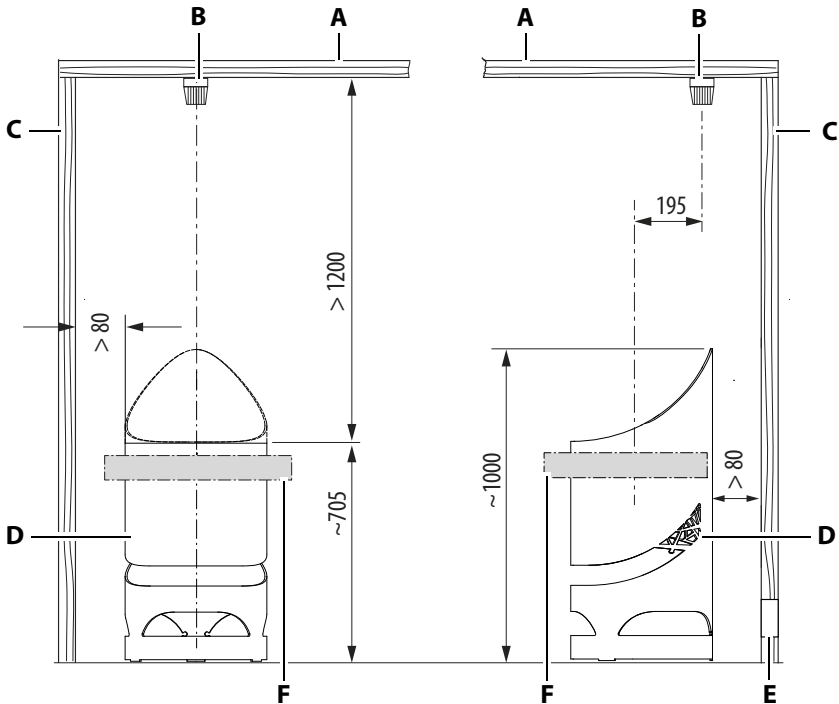
If single-core lines are used as connecting cables, they must be protected by a flexible metal hose that is connected to the protective conductor.

3.1.1 Installation site


The required cabin volume depends on the heater output. See 2.5 Technical data,  EN-14.

The following distances must be observed:

- Ceiling height min. 1900 mm
- Distance between heater and cabin ceiling at least 1200 mm
- Distance between heater and cabin wall at least 80 mm
- Distance between heater guard rail and bench at least 80 mm




- | | |
|---|---------------------------------------|
| A Cabin ceiling | D Heater |
| B Temperature sensor with safety temperature limiter | E Air inlet |
| C Cabin wall | F Heater guard rail (optional) |

 Dimensions in the cabin (in mm)

3.1.2 Air inlets and outlets

Air inlets and outlets must be installed in the cabin to ensure a sufficient air flow in the cabin and to prevent the heater from overheating.

The required size of the air inlets and outlets depends on the heater output; see 2.5 Technical data,  EN-14.

WARNING

Fire hazard from overheating



The heater can overheat if the air supply is insufficient. There is a risk of death due to fire.

- ▶ Ensure that the air inlets and outlets provide sufficient ventilation. Install a fan if necessary.
- ▶ Commission the cabin only after all air inlets and outlets have been opened.

If the heating process takes a long time, the underlying reason is that the heater receives insufficient air. A minimum of 5 times the cabin volume of air per hour must be exchanged.

If, despite compliance with dimensions, there is still not enough fresh air to reach the heater, a fan must be installed at the opening outside of the cabin.


Depending on the location of the heater, the air inlet must be installed behind or below the heater.

- Air supply from below,  EN-20
- Air supply from the side,  EN-21

Air outlet

The air outlet must meet the following criteria:

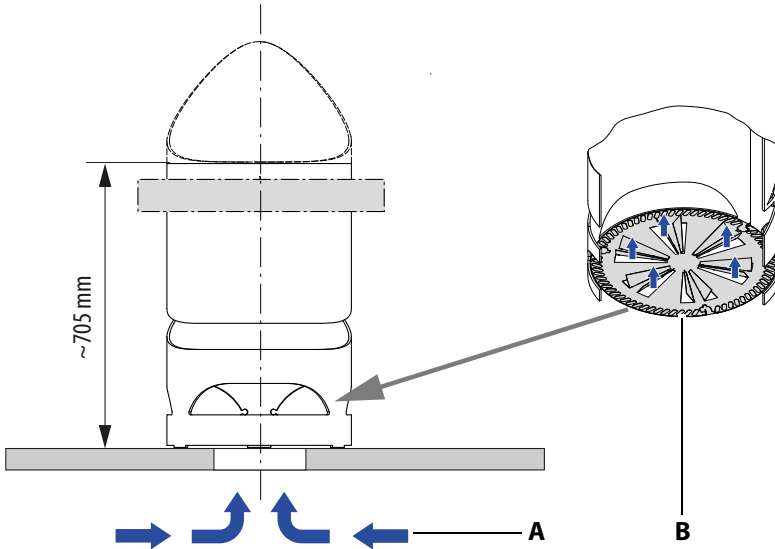
- Location: Across from the heater
- Height: 30–50 cm above the cabin floor

For more specifications, see 2.5 Technical data,  EN-14.


Air supply from below

The air inlet must meet the following criteria:

- Location: centred below the heater.
- Dimensions: \varnothing depending on heater output min. 180 mm, see 2.5 Technical data, [EN-14](#).



A Air supply through cabin floor **B** Slats open

 Installing the air inlet in the cabin floor

This form of air supply requires that the slats on the bottom of the heater are bent upward. See ► [Setting up the heater](#), [EN-24](#).

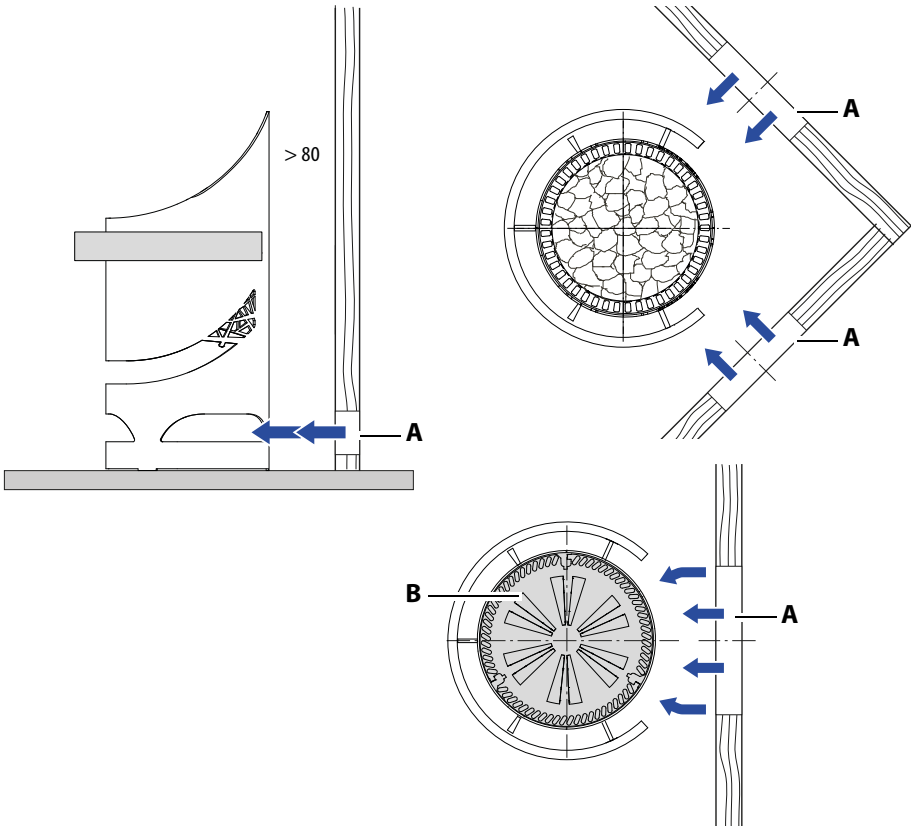
The slats are bent upward during heater manufacturing. They must be checked before commissioning.

Air supply from the side

The air inlet can be either a large opening or two small openings.


The air inlet must meet the following criteria:

- Location: From the side (in relation to the heater) at the height of the lower openings.
- A duct directs fresh air to the opening or openings.
- A fan must be mounted at the beginning of the duct outside of the cabin.





A Air inlet

B Slots

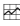

 Installing the air inlet in the cabin wall

3.1.3 Connection cable

The heater is connected to the sauna control unit and to an output controller, if needed, via a connection cable. This temperature-resistant silicone cable is very pressure-sensitive and must be protected from damage during installation. To do this, route a cable duct or empty pipes from the installation site of the heater up to the relay box. The radius for laying the cable around a corner must equal a minimum of 100 degrees (R100). See the connection diagrams in  Connections,  EN-31.

3.2 Temperature sensor

The heater sensor with the safety temperature limiter must be installed where expected temperatures are the highest, meaning directly above the heater.

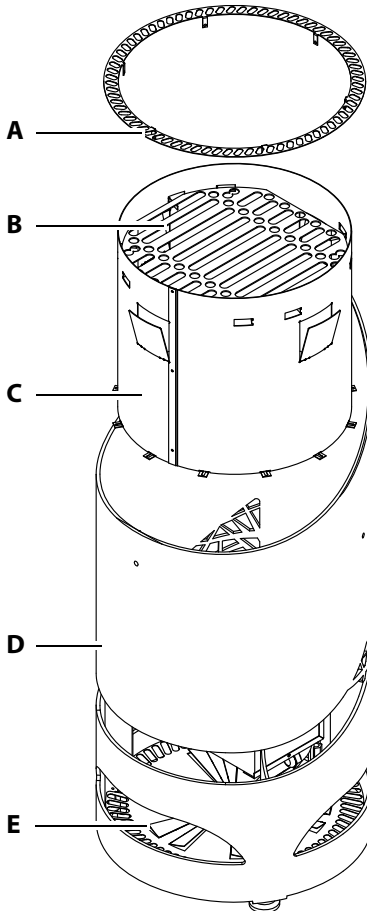
See  Dimensions in the cabin (in mm),  EN-18.

The temperature sensor with the safety temperature limiter is not included in the scope of delivery. See the separate installation instructions for information on installation.

3.3 Installing the heater

The heater is supplied mounted and packaged on a disposable pallet. Once the cabin is prepared, the heater is placed on a pre-defined installation site.

Two people should always transport the heater, or a lifting device should be used.

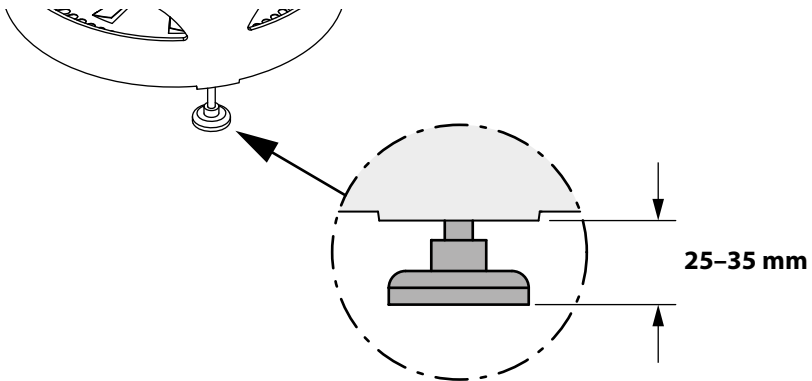


- | | |
|--|--------------------------------|
| A Decoration ring | D Housing |
| B Stone grate | E Base plate with slots |
| C Inner casing with heating coil
(heating element) | |

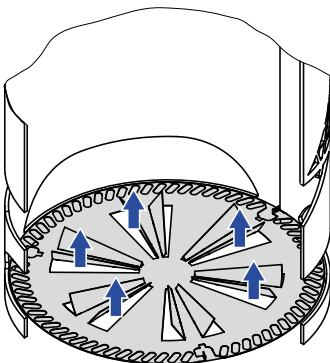
A drip pan is mounted under the heating element. It collects residual water from a water splash, which then vaporizes.

► Setting up the heater

- 1 **CAUTION!** The heater weighs between 62 and 68 kg, depending on the model. Two people should always move the heater, or a lifting device should be used.
Remove the transport protection and lift the heater from the pallet. Then move it to the pre-defined installation site.
- 2 Unscrew the 3 adjustable feet 25–35 mm until the heater is level.



- ⓘ Use a spirit level if needed to ensure that the heater is level.
- 3 Remove all transport locks and protective films in the heater.
- 4 If air is supplied from below, check that the slots are in the correct position.



- ⓘ The slots are bent upward approx. 45° during heater manufacturing.
- 5 Place the stone grate and decoration ring in position and screw them tight.

3.4 Installing the heater guard rail (optional)

The heater guard rail is available in 270° and in 360° models. It is mounted on the heater by means of 3 brackets. The rail has a pin on the inside in the middle and two indentations for fixing on the sides.

The heater guard rail should always be attached in such a way that it protects sauna guests from making inadvertent contact with the heater.

During installation:

- Ensure that the heater has no power.
- Allow the heater to cool down.
- Remove all stones.

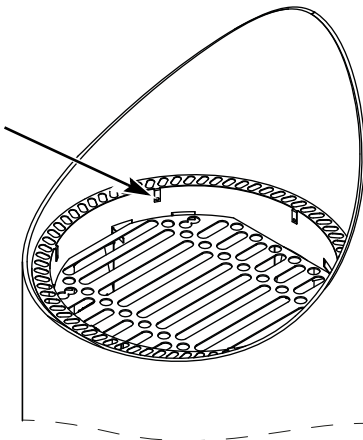
Hardware and tools

- Heater guard rail: heater rail and mounting kit
- Hex key

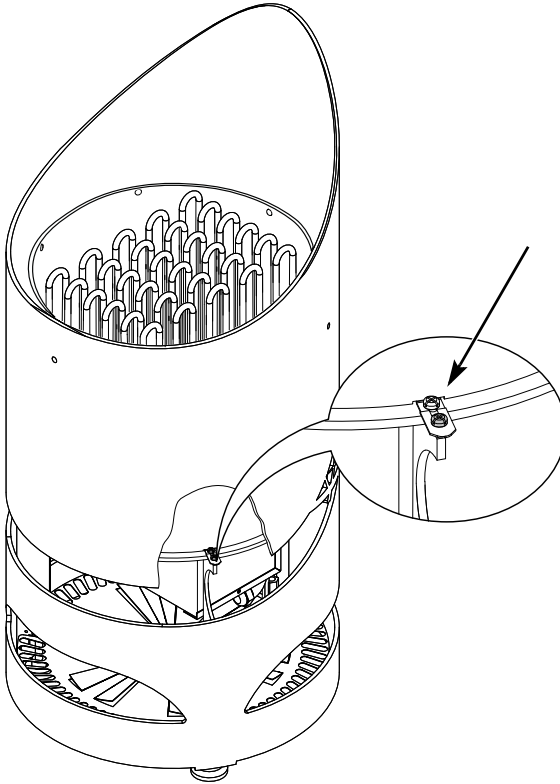
The guard rail is mounted on the outer casing by means of the 3 holes provided for this purpose.

► Preparing for installation

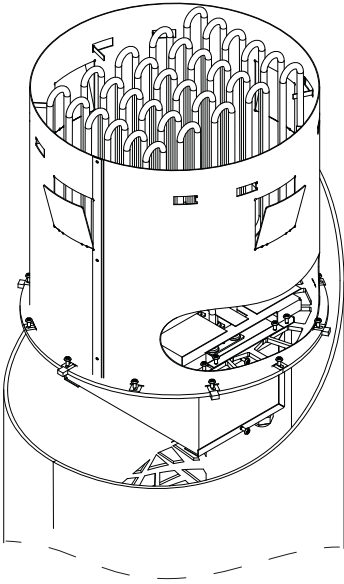
- 1 **WARNING!** Ensure that the heater has been disconnected from all power supply lines. Allow the heater to cool down.
Remove the stones.
- 2 Loosen the 6 screws on the decoration ring and remove it.



- 3 Remove the stone grate.
- 4 Loosen the 3 screws at the bottom of the heating element.
 - ① To do this, access the screws from above between the heating element and the outer casing.



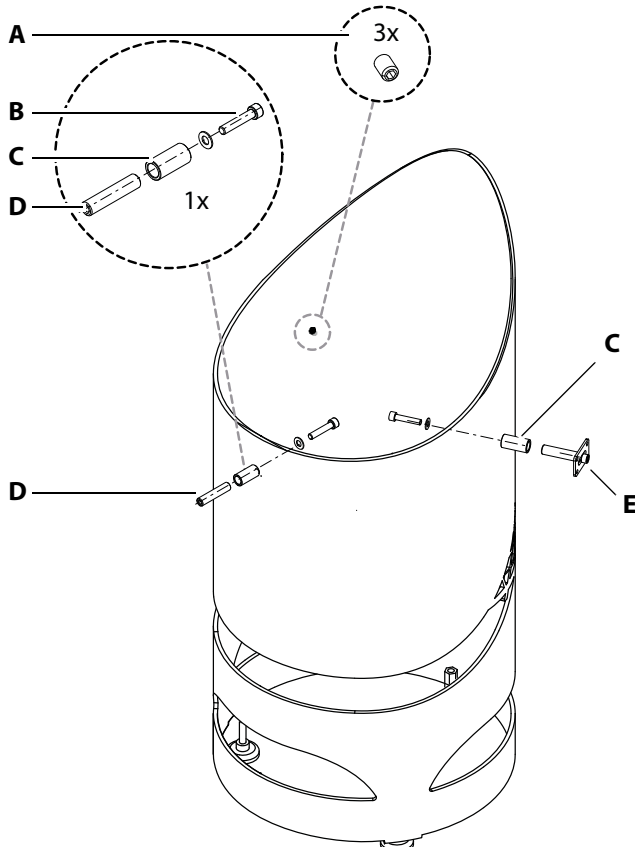
- 5 Hold the tubular heating elements and lift the heating element from the heater.
 - ① The heating element consists of the inner casing, the heating coil and the terminal box. These are firmly attached to each other on the lower grate.



- ① The connection cable is looped enough that when the heating element is lifted, the cable has enough play.

► Installing the heater guard rail

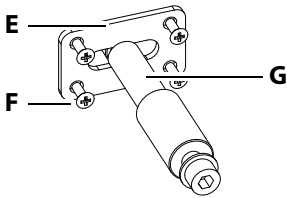
- 1 Unscrew the 3 cap set screws (**A**) from the fixing holes in the outer casing.



- | | |
|--|----------------------------------|
| A Cap set screws | D Retaining sleeve |
| B Hex screws M8 x 40 mm | E Pre-mounted small plate |
| C Screw bushing $\varnothing 20 \times 40$ mm | |

- ① The set screws (**A**, hex M10) plug the openings for the heater guard rail brackets.
- 2 Insert the 3 hex screws (M8 x 40 mm) (**B**) from the inside into the holes. Screw on the screw bushings (**C**) from the outside and tighten.
- 3 In the middle of the front side, push on the retaining sleeve (**D**) until it stops.
 - ① The sleeve's large hole must face outward.

- 4 Mount the fixing inserts with the small plates on both sides:



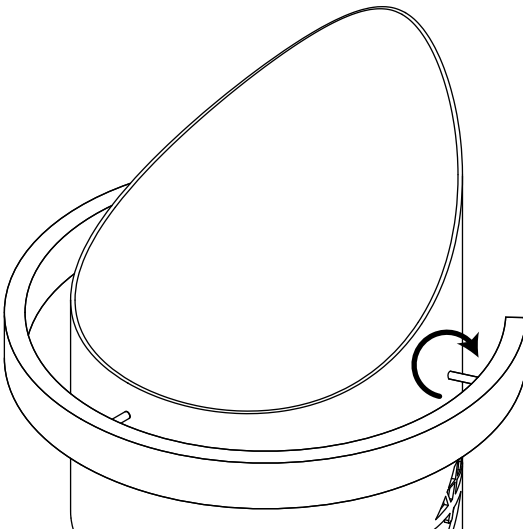
E Pre-mounted small plate

F Pan head screws


G Adjustment sleeve

- a) Screw the adjustment sleeves (**G**) on to the hex screws until they stop.



- 5 Lift the heater rail over the outer casing and lower it onto the heater.
- 6 Insert the heater rail with the inner, centred pin (\varnothing 6 mm) in the bushing of the front bracket.
- 7 Insert the lateral fixing inserts in the pre-milled pockets of the heater rail and tighten the crosshead screws (**F**) into the wood.
- 8 Rotate the adjustment sleeves (**G**) for the back brackets until the spacing is the same on all sides.



9 Reassemble the heater:

- a)** Place the heating element on the tubular heating elements in the heater and tighten the screws.
Lay the connection cable looped in an appropriate place.
 - b)** Insert the stone grate and tighten the screws.
 - c)** Position the decoration ring and tighten the screws.
 - d)** Place the stones in the rock store.
- ⓘ Do not lay stones on the decoration ring.
Only use stones with a grain size of 50–80 mm.
See 5.1 Filling stones,  EN-38.

10 Start the heater.

- ⓘ 4.2.4 Establishing an electrical connection,  EN-35.
- ⓘ 5.2 Starting the heater,  EN-39

4 Connections

4.1 General instructions for electrical installation

Ensure that electrical installation is performed in compliance with the standards and legal norms valid in your country.

If a residual current device (RCD) is installed, ensure that there are no other electrical consumers not belonging to the sauna system which are fused via this RCD.

If the sauna heater has not been used for an extended period of time, the heater may draw moisture from the ambient air, which, in rare cases, could lead to the RCD to be tripped. This is a physical process and not a fault on the part of the manufacturer.

In this case, the heater must be heated by a technician under supervision which will bypass the RCD function. Once the moisture has escaped from the heating elements after approx. 10 minutes, the RCD can be integrated again in the electric circuit.

If the sauna heater will not be used for an extended period of time, we recommend that you switch on the heater every 6 weeks so that the heating elements do not accumulate moisture. If, during commissioning, the RCD is triggered, the electrical installation must be checked again.

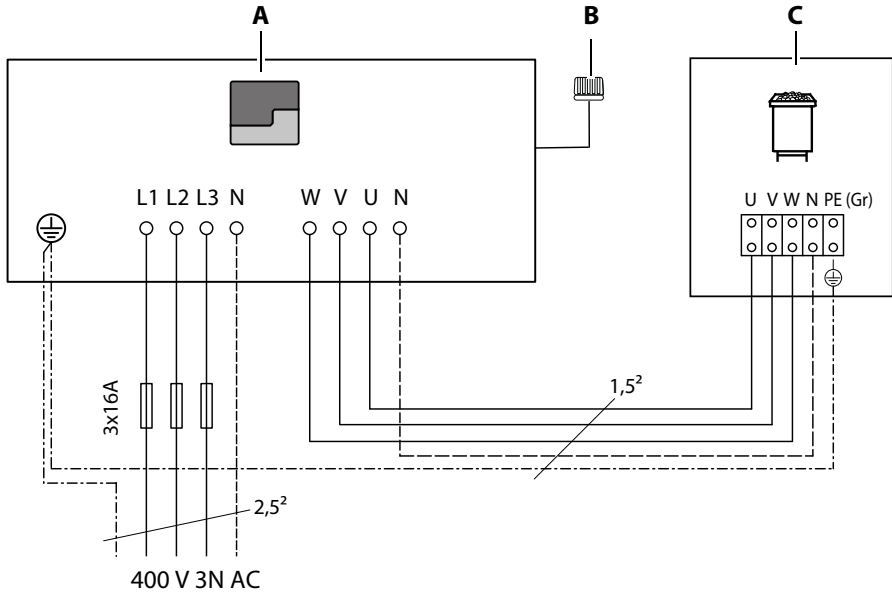
The electrician is responsible for properly connecting the heaters; thus, the manufacturer does not assume liability.

4.2 Connections

The sauna control unit, the output controller, and the heater must be connected as shown in the circuit diagrams.

Please observe the installation and operating instructions for the control units and output controllers.

4.2.1 Terminal diagram 6 kW/7.5 kW/9 kW

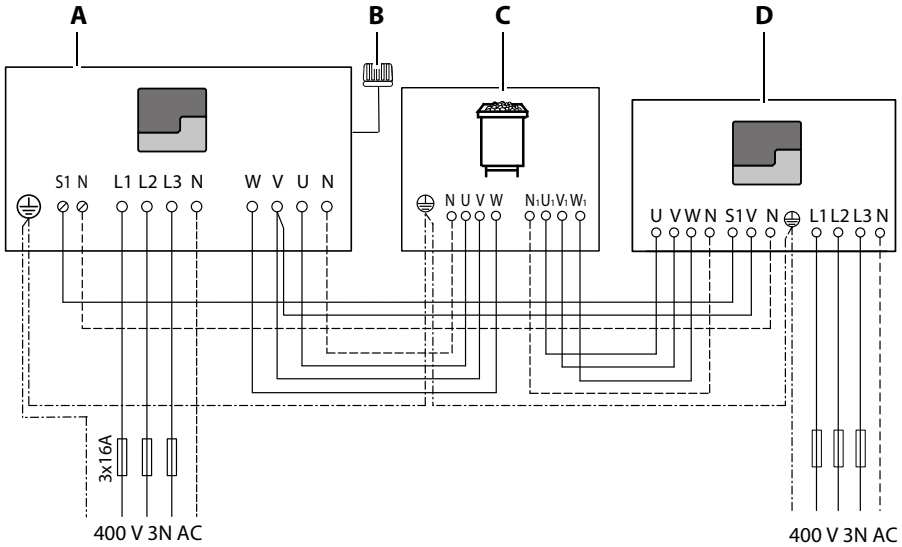


A Sauna control unit

B Heater sensor with safety temperature limiter

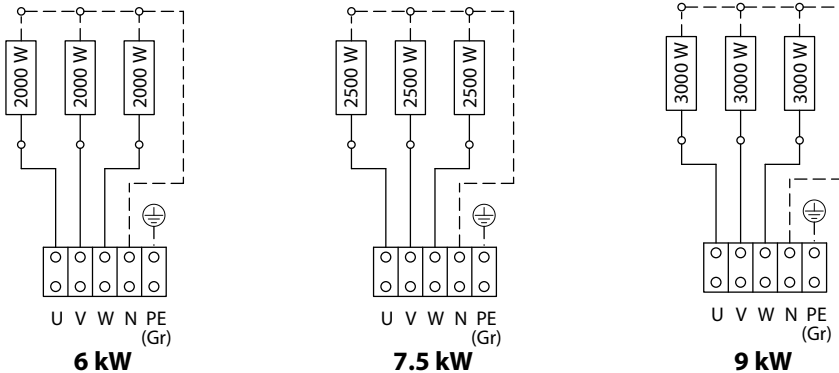
C Sauna heater

4.2.2 Terminal diagram 10.5 kW/12 kW

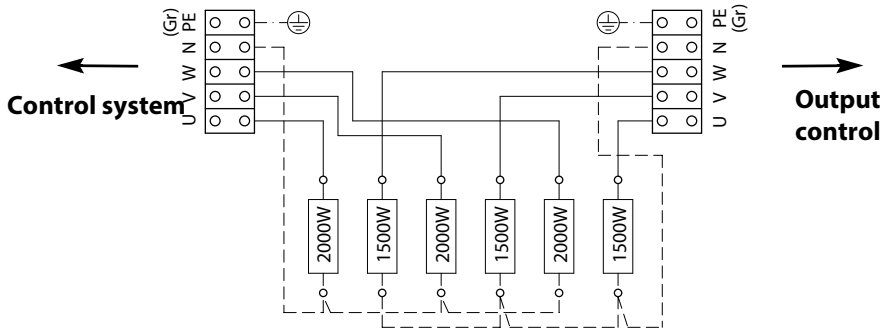


- A** Sauna control unit
- B** Heater sensor with safety temperature limiter
- C** Sauna heater
- D** Output controller (LSG)

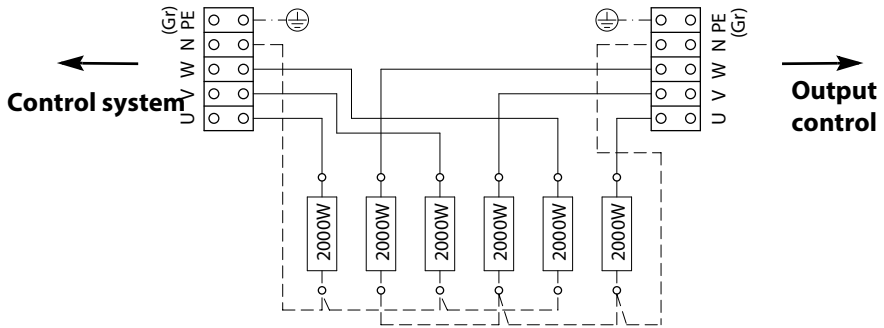
4.2.3 Internal wiring 6 kW–12 kW



☒ Internal wiring 6 kW/7.5 kW/9 kW



☒ Internal wiring 10.5 kW






☒ Internal wiring 12 kW

4.2.4 Establishing an electrical connection

The connections for the heating coils are attached to the bottom of the heater. The lines are pre-mounted and must be connected to the power supply.

The silicone connection cable is firmly connected inside the terminal box. Two separate cables for output capacities 10.5 kW and 12 kW are connected. The connection cables are 8 m long.

► Connecting the connection cable to the sauna relay box

- 1 Route the connection cable along the internal side of the heater wall downward.
- 2 Route the connection cable outward.
 - ① The following alternatives are available depending on how the cable duct is prepared:
 - a) Guide the cable through the air inlets.
 - b) Pull the cable through the openings in the drip pan and under the heater.
 - ② Lay the connection cable looped in a suitable place to facilitate disassembly of the heating element.
- 3 Guide the cable from the cabin to the sauna relay box.
- 4 CAUTION! Ensure that the relay box has no power. Connect the cable, see:
 - a) 4.2.1 Terminal diagram 6 kW/7.5 kW/9 kW,  EN-32
 - b) 4.2.2 Terminal diagram 10.5 kW/12 kW,  EN-33
 - c) 4.2.3 Internal wiring 6 kW–12 kW,  EN-33

4.3 Heating time limitation

The heating time limitation is set either on the control panel or the relay box circuit board, depending on the control unit used.

The settings are described in the installation and operating instructions for the control units.

Heating time limitation functions

All sauna heaters, except for those installed in public saunas, and which are operated under the supervision of personnel, must be equipped with a timer that complies with IEC and EN standards. This timer fully disconnects the sauna heater from the power supply for safety reasons. It is typically integrated in the sauna control units.

The timer must be mounted outside of the sauna cabin and may not be overridden.

- The operation time of a public sauna must be limited so that the heating elements are without power for a minimum of 6 consecutive hours within a 24-hour period.
- Units used in private saunas must be limited to an operating time of 6 hours, and an automatic restart is not permitted.

In accordance with UL875 (USA), this timer must fully disconnect the sauna heater from the power supply after one hour and must not switch on again automatically.

5 Commissioning

Before the heater can be commissioned, it must be filled with the sauna stones.

The heater is switched on via the control unit. It is operated via the control panel.

WARNING



Fire hazard

Objects placed on the heater could catch fire. Herbs or similar substances used for aroma infusion purposes, which are located near the heater, could

catch fire.

- ▶ Inspect the cabin prior to each use.

WARNING

Risk of fire due to heating without stones

The heater must be operated with stones for the air to escape optimally. Stones that are positioned too close together in the heater prevent hot air from being exhausted. This leads to overheating of the heater.

- ▶ Start the heater only if it has been filled with stones.
- ▶ Place the stones loosely on the stone grate.

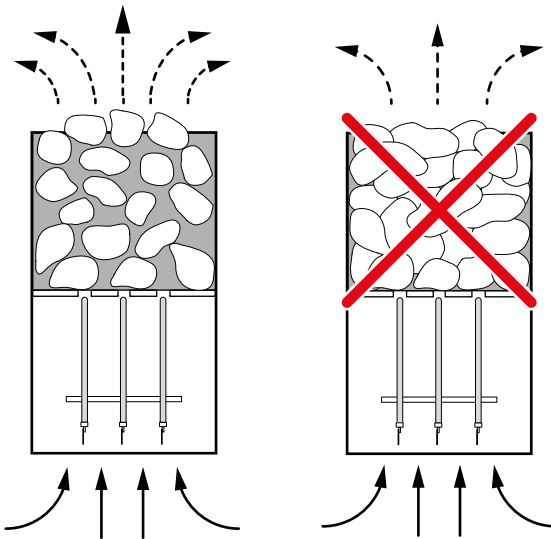
5.1 Filling stones

Ceramic stones behave differently from natural stones when infused. Use only natural sauna stones in the prescribed grain size of approx. 50–80 mm.

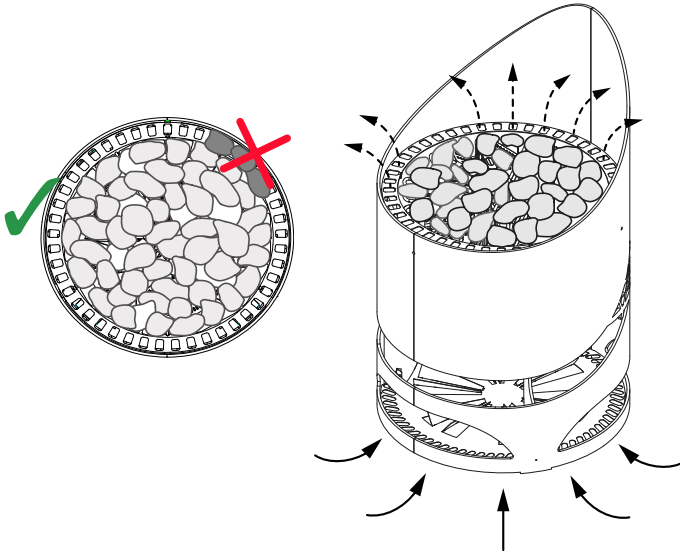
► Filling stones

- 1 Thoroughly rinse the stones with running water.
- 2 **WARNING!** Stones that are positioned too close together in the heater prevent hot air from being exhausted. This leads to overheating of the heater.

Place the stones loosely on the stone grate.



- 3 Lay the stones one by one on the stone grate to create a small pile. Ensure there is enough space between them.



- ⓘ Do not place the stones on the decoration ring. The air must flow freely.

5.2 Starting the heater

A slight odour may be produced the first time the cabin is heated because the heater is being heated for the first time. The odour ceases upon continued operation of the heater.

► Switching the system on

- 1 Switch the sauna control unit on.
 - ⓘ The heater is switched on via the control unit.
- 2 Use the control unit to select a suitable program.

5.3 Commissioning by remote control

If you switch on the heater using the remote control, ensure that no objects are placed on the heater. A suitable safety system, for example EOSafe D/L, can be used to prevent this.

5.4 Water splash

Before the first water splash can begin, the cabin must be sufficiently heated. The temperature sensor checks the temperature and, via the control panel, indicates when the desired temperature has been reached.

WARNING

Fire hazard

Incorrectly diluted sauna essences, essential oils or herbs can catch fire.

- ▶ When preparing the water, follow the instructions regarding quantity as specified on the sauna essence containers.
- ▶ Never add more sauna essence or essential oils to the water than the amount indicated on the container.
- ▶ Never use alcohol or pure concentrate.
- ▶ Do not add herbs to the water or on the stones.
- ▶ Do not use pure sauna essences for water splashes.
- ▶ Do not use alcohol as a water splash.
- ▶ Pour the water over the stones only.

Pour the water slowly and evenly over the stones.

As the hot air rises, steam is distributed evenly in the cabin to create a pleasant infusion experience. Please note that the sauna stones must be reheated after each water splash to generate an intense burst of steam. After each water splash, wait approx. 10 minutes before starting the next one. This time is needed for the sauna stones to reheat.

Recommendation: During a water splash, no more than approx. 10 cL of water per m³ cabin volume should be vaporised.

6 Maintenance

This sauna heater is made of low-corrosion material. To ensure a long service life, perform regular maintenance and service on your heater. Ensure that openings in the intake area and heat reflectors are never blocked. These can easily become blocked with lint and dust as fresh air is drawn in. This limits the air convection ability of the heater and could lead to impermissible temperatures. Clean the heater as needed.

If you do not use your sauna for a longer period of time, ensure that at the time of recommissioning no towels, cleaners or other objects are lying on the heater.

Contact your sauna retailer or the manufacturer directly if you notice malfunctions or signs of wear and tear.

6.1 Cleaning the heater

The heater must be cleaned regularly. The cleaning frequency depends on how often it is used.

- Clean the heater only with household cleaners.
- Check the sauna stones and replace as needed.

► Cleaning

- 1 Switch off the heater from the control unit.
 - ① Wait until the heater is completely cool, if necessary.
- 2 Clean the outside of the heater.
 - ① Use only household cleaning agents.
- 3 Remove lint and dust from openings and heat reflectors.
 - ① Openings can easily become blocked with lint and dust as fresh air is drawn in. This limits the air convection ability of the sauna heater and could lead to impermissible temperatures.

6.2 Replacing sauna stones

Sauna stones are a product of nature. Sauna stones must be replenished or reshuffled depending on the intensity of use.

The process of heating and cooling can make the stones brittle.

Particular damage to the sauna stones can be caused by aggressive sauna essences, causing them to disintegrate over time. Small particles can break free from the stones making the gaps between the stones smaller. This means that hot air can no longer rise between the stones.

Depending on the frequency of use, sauna stones must be added or repositioned at least once a year. If used daily, the stones should be checked and replaced every 2–3 months.

Use only natural sauna stones when you replace the old stones with new ones. Due to their roughness, they produce a better water splash effect than ceramic sauna stones. The stones should have a grain size of approx. 50–80 mm.

► Reshuffling the sauna stones

- 1 CAUTION! Caution: stones may be hot. Allow the stones to cool for at least 45 minutes before you remove the old stones.
Remove each stone individually.
- 2 Check each stone for damage. Sort out any stones with severe damage.
- 3 Rinse all stones with cold water.
- 4 Stack the stones loosely leaving sufficient space between them.
❶ ► Filling stones, 📄 EN-38.

6.3 Replacing the tubular heating elements

You can replace individual tubular heating elements or the entire heating coil.

Necessary steps:

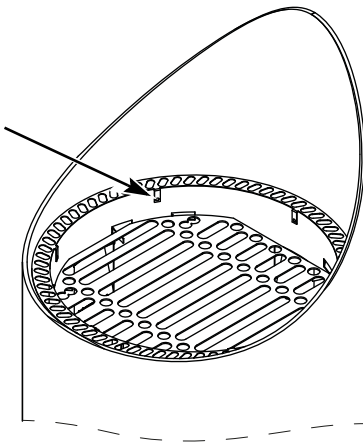
- ▶ Removing the heating coil, [EN-43](#)
- ▶ Replacing the tubular heating elements, [EN-47](#)
- ▶ Inserting the heating coil, [EN-49](#)
- ▶ Replacing the entire heating coil, [EN-49](#)

Hardware + tools:

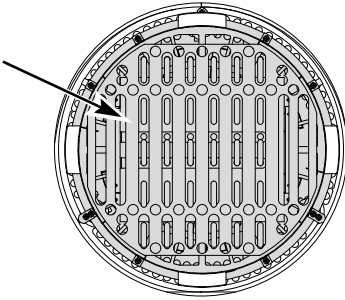
- Tubular heating element or heating coil
- Screwdriver
- Pliers

▶ Removing the heating coil

- 1 **WARNING!** Ensure that the heater has been disconnected from all power supply lines. Allow the heater to cool down.
Remove the stones from the stone grate.
- 2 Loosen the 6 screws on the decoration ring and remove it.

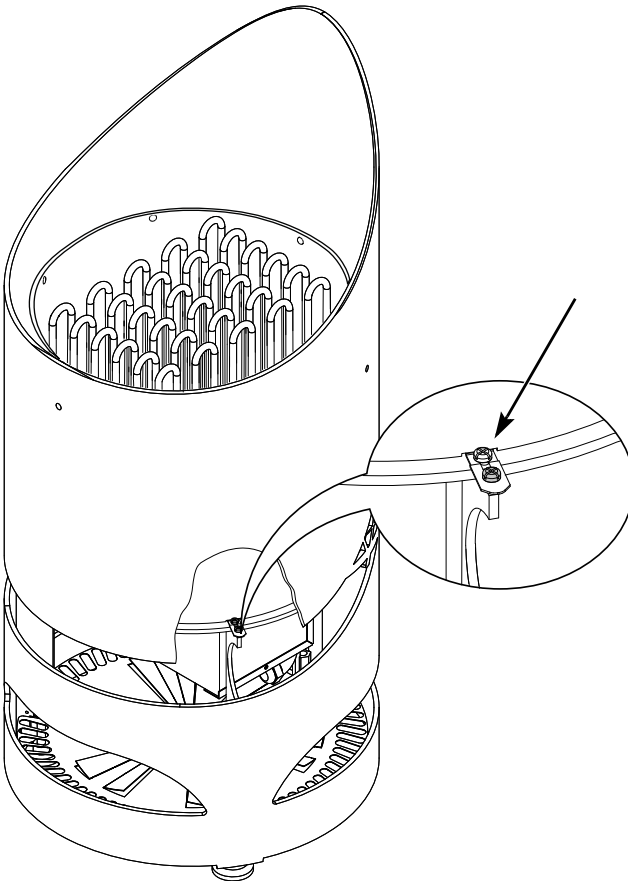


3 Remove the stone grate.

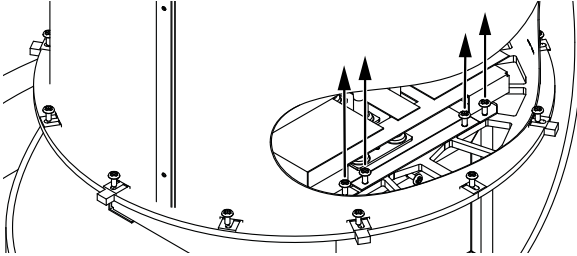


4 Loosen the 3 screws underneath on the inner casing.

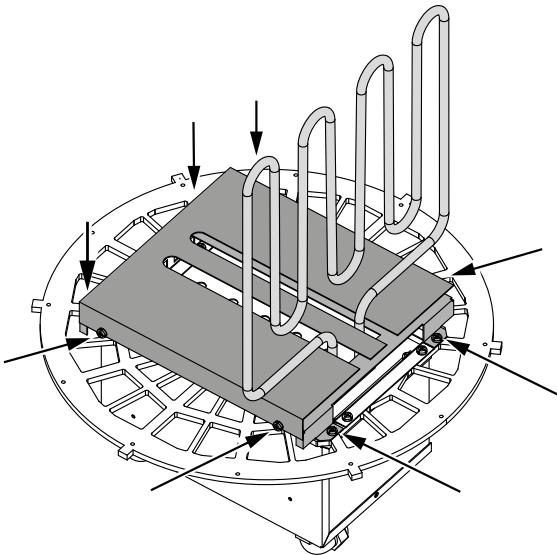
ⓘ To do this, access the screws from above between the inner and the outer casing.



- 5 Hold the tubular heating elements and lift the heating element from the heater.
 - ① Ensure that the connection cable is not pinched.
 - ① Depending on the output capacity, the heating element can have up to 6 tubular heating elements.
- 6 Loosen the 8 screws at the bottom of the heating element.

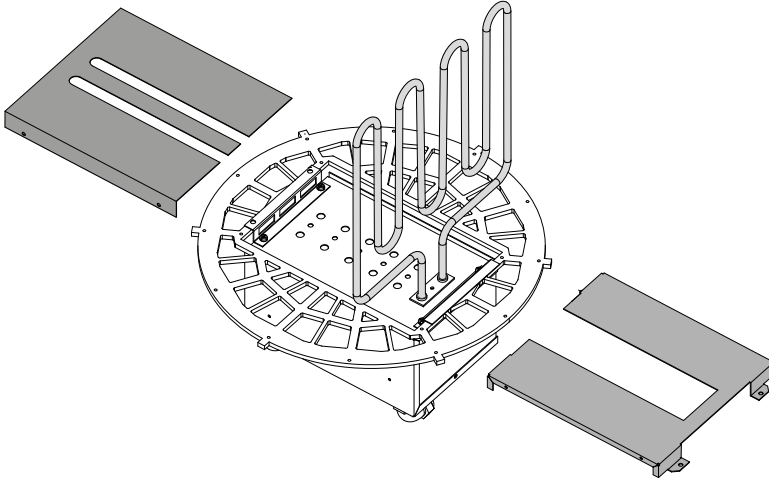


- ① 4 screws on both the right and left sides. The screws fix the heating element onto the inner casing.
- 7 Lift the heating element from the inner casing.
- 8 Loosen the 8 screws in the steel plates.



- ① The steel plates fix the heating coil to the bottom grate.

9 Remove the top and bottom steel plate.

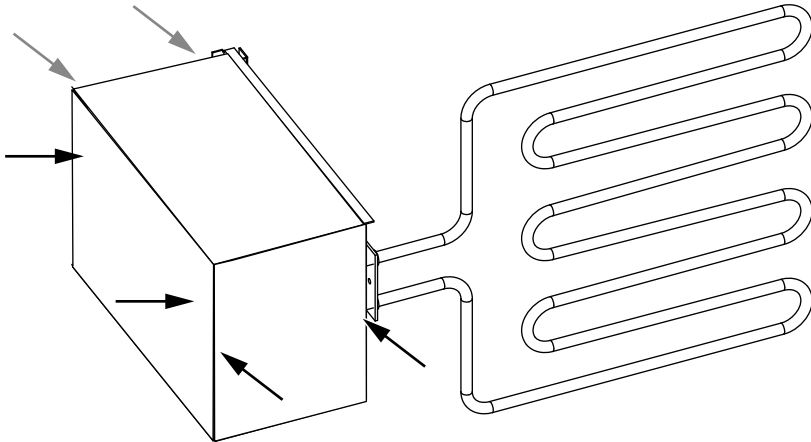


10 Remove the heating coil with the terminal box.

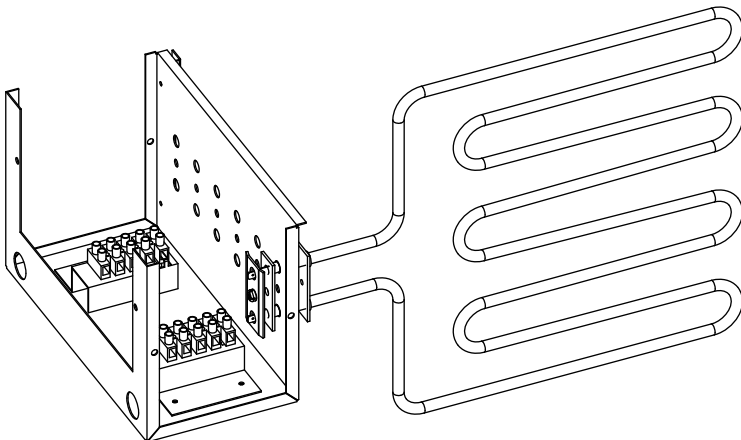
- ① You can now replace the defective tubular heating element or insert a completely new heating coil:
- ▶ Replacing the tubular heating elements, [EN-47](#)
 - ▶ Inserting the heating coil, [EN-49](#)

► Replacing the tubular heating elements

- 1 Remove the heating element.
See ► Removing the heating coil, ☐ EN-43.
- 2 Loosen the 6 screws on the terminal box.

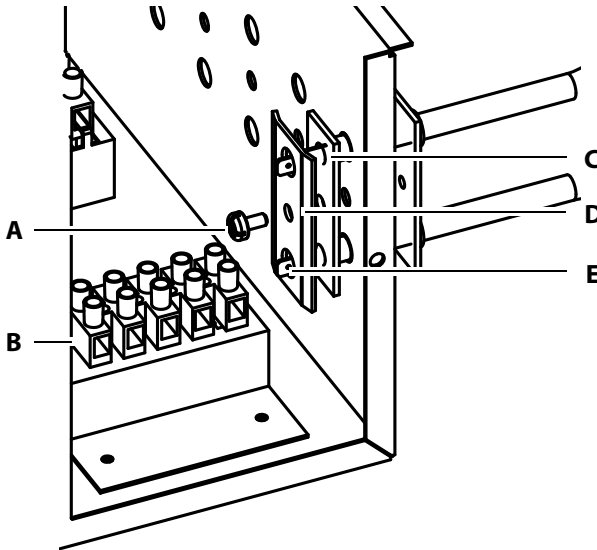


- 3 Identify the defective tubular heating element by taking measurements.



- ⓘ The tubular heating elements are mounted on the base plate and fixed from below by crosshead screws (M5).

- 4 Loosen the screw (A) from the defective tubular heating element.



A Crosshead screw
B Terminal block

C Silicone seal
D Pressure plate
E Flat pin

- 5 Disconnect the connections from the flat pins and remove the defective tubular heating element.
- 6 Insert the new tubular heating element and use a silicone seal and the pressure plate to tighten it in place.
- ① Check the old silicone seal and reseal as needed.
 - ① The screw must be screwed in tightly so that water cannot seep into the terminal box.
- 7 Attach the flat plug again.
- ① Ensure that it is firmly in place to eliminate the risk of fire.
- 8 Place the cover on the terminal box and tighten the screws.
- 9 Insert the heating coil.
 See ► Inserting the heating coil, □ EN-49.






► Inserting the heating coil

- 1 Insert the heating coil in the lower grate.
- 2 Insert the top and bottom steel plate and tighten the 8 screws.
- 3 Lift the heating element in the heater and rotate it until you see the 3 screw holes.
- 4 Screw in the 3 bottom screws and tighten them.
- 5 Position the stone grate in place and tighten the 3 screws.
- 6 Position the decoration ring in place and tighten the 6 screws.
- 7 Place the stones loosely on the stone grate.
① See ► Reshuffling the sauna stones, [EN-42](#).
- 8 Reconnect the power supply.

► Replacing the entire heating coil

- 1 **WARNING!** Ensure that no power is supplied to the unit. Allow the heater to cool down.
Loosen the connection cable at the relay box.
① See 4.2 Connections, [EN-31](#).
- 2 Remove the old heating coil.
See ► Removing the heating coil, [EN-43](#).
- 3 Insert the new heating coil.
See ► Inserting the heating coil, [EN-49](#).
- 4 Connect the connection cable at the relay box.
- 5 Reconnect the power supply.

6.4 Troubleshooting

Error	Reason	Solution
It takes the heater a long time to heat up the cabin.	Some tubular heating elements are defective.	Replace the tubular heating element or heating coil. See 6.3 Replacing the tubular heating elements,  EN-43.
	There is not enough space between the stones.	Reshuffle the stones. See ► Reshuffling the sauna stones,  EN-42.
	There is insufficient ventilation.	Install the air inlets. If these are insufficient, add a fan to the openings. See 3.1.2 Air inlets and outlets,  EN-19.
The heater is very hot but cannot distribute the heat throughout the cabin.	There is not enough space between the stones.	Reshuffle the stones. See ► Reshuffling the sauna stones,  EN-42.
The safety temperature limiter was triggered and the heater no longer heats.	The safety temperature limiter was triggered by heat accumulation.	Check the inlets, outlets, and the fan and ensure that the heater has access to a sufficient amount of air. Replace the safety temperature limiter.
	The position of the temperature sensor with the safety temperature limiter is not optimal.	Check the position of the temperature sensor and adjust as needed. See 3.2 Temperature sensor,  EN-22. Replace the safety temperature limiter.

7 General terms and conditions of service

(T&C, Dated 08-2018)

I. Scope

Unless otherwise agreed in writing for specific instances, these terms and conditions of service shall apply to service operations, including reviewing and remedying complaints. All our existing or future legal relationships shall be governed solely by the following terms and conditions of service. We do not recognise any of the customer's conflicting terms and conditions unless we have given our express written consent to their applicability.

We hereby expressly object to any of the customer's terms and conditions included in the customer's General Terms and Conditions of Business or order confirmation. Unconditional acceptance of order acknowledgements or deliveries shall not be construed as any form of acknowledgment of such terms and conditions. Ancillary agreements or amendments must be confirmed in writing.

II. Costs

The customer shall bear the following costs in connection with services rendered:

- Mounting/dismantling and electrical (de-)installation
- Transportation, postage and packaging
- Function testing and troubleshooting, including inspection and repair costs

There shall be no third-party billing.

III. Performance and cooperation obligations

The customer shall provide assistance free of charge to the manufacturer in rendering services.

In the case of a warranty claim, the manufacturer shall provide spare parts necessary for servicing free of charge.

IV. Service visit by the manufacturer

Services rendered on site by an employee of the manufacturer must be agreed in advance.

If the main reason for the service visit is not the fault of the manufacturer, any costs incurred shall be charged to the customer after the service visit and must be paid by the customer in full within the agreed payment term.

V. Liability

The manufacturer shall assume liability in accordance with the currently applicable statutory regulations. All our products are packaged in such a way that the individually packed goods (pallets) can be shipped.

We wish to point out that our packaging is not suitable for individual shipments via parcel post. The manufacturer shall accept no liability for damages incurred as a result of improper packaging in an individual shipment.

VI. Manufacturer's warranty

The manufacturer's warranty shall apply only if installation, operation and maintenance have been carried out in full accordance with the manufacturer's specifications in the installation and operating instructions.

- The warranty period shall commence from the date on which proof of purchase is provided and shall be limited, in all cases, to 24 months.
- Warranty services shall be performed only if proof of purchase of the equipment can be presented.
- Any and all warranty claims shall become void if modifications are made to the equipment without the manufacturer's express consent.
- Any warranty claim shall likewise become void in the case of defects that arise due to repairs or interventions made by unauthorised persons or due to improper use.
- In the case of warranty claims, the serial and article numbers must be provided, together with the unit designation and a meaningful description of the error.
- This warranty shall cover defective equipment parts, with the exception of normal wear parts. Wear parts shall include, for example, light sources, glass elements, tubular heating elements and sauna heater stones.
- Only original spare parts may be used within the warranty period.

- Service visits made by third parties shall require a written order issued by our service department.
- The equipment in question shall be sent to our service department by the customer at the customer's own expense.
- Electrical assembly and installation work, including service visits and parts replacements, shall be carried out at the customer's expense; costs shall not be borne by the manufacturer.

Complaints in respect of our products shall be reported to the responsible distributor and shall be handled exclusively by said distributor.

The manufacturer's General Terms and Conditions of Business, in the version available at www.eos-sauna.com/agb, shall apply in addition to the foregoing terms and conditions of service.

8 Disposal



Electrical devices that are no longer needed must be recycled at a recycling station as per EU guideline 2012/19/EU or as per the Electrical and Electronic Equipment Act (ElektroG).

Observe local provisions, laws, regulations, standards and directives when disposing of the unit.



Do not dispose of the unit with household waste.



Packaging

The packaging of the Zeus S/SL can be completely separated for disposal and recycled. The following materials are used in the packaging:

- Used paper/cardboard
- Plastic foil

Electronic waste

Electronic waste must be disposed of at the designated local collection point for electronic waste.



Service address

EOS Saunatechnik GmbH

Schneiderstriesch 1

35759 Driedorf, Germany

Tel. +49 2775 82-514

Fax +49 2775 82-431

Email servicecenter@eos-sauna.com

Web www.eos-sauna.com

Store this address with the installation and operating instructions in a safe place.

Please always provide us with nameplate data, such as model, item number and serial number so we can provide fast and efficient support.

Date of sale

Stamp/retailer signature: