



EOS Zeus S / SL

Sauna heater in round design. Floor-standing model.

Exclusive luxury class floor-standing model in unique round-shaped design. For the (dry) Finnish sauna.

Thanks to its construction, the heater is ideal for installations in front of glass panels or in the center of the sauna. For private and commercial sauna operation.

Your advantages:

- Exclusive round design in two alternative versions.
- Very robust construction with solid 6 mm steel wall.
- Available in three finishes: rust marbel, anthracite and black.
- Ideal for placement in front of glass or in the center of the sauna, all sides look alike.
- Luxurious round-shaped guard rail in different high-quality wooden design available. 360 ° or 270 ° model.
- 5 m connection cable included in delivery.
- Made in Germany quality from EOS.

Specifications:

Housing:	Solid steel construction with 6 mm wall, powder coating "rust marbel" or black or anthracite upon request
Rock store cover:	Stainless steel
Base & terminal box:	Stainless steel
Power range:	6.0, 7.5, 9.0, 10.5 and 12.0 kW
Power supply:	400 V 3N ~ 50 Hz
Rock store volume:	approx. 25 kg (Sauna stones optionally available)
Dimensions:	Zeus S Ø 45 x 100 cm Zeus SL Ø 45 x 70 cm
Installation:	Floor-standing



Guard rail and white quartz stones are optionally available



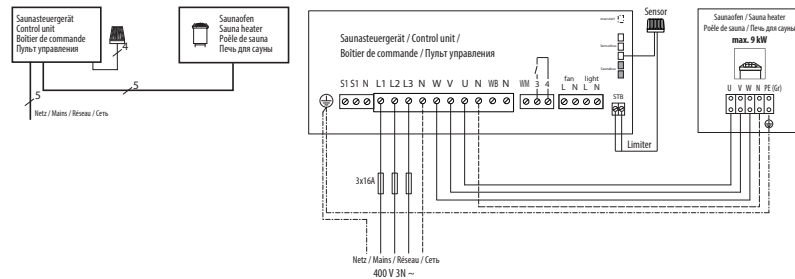
Also available in anthracite



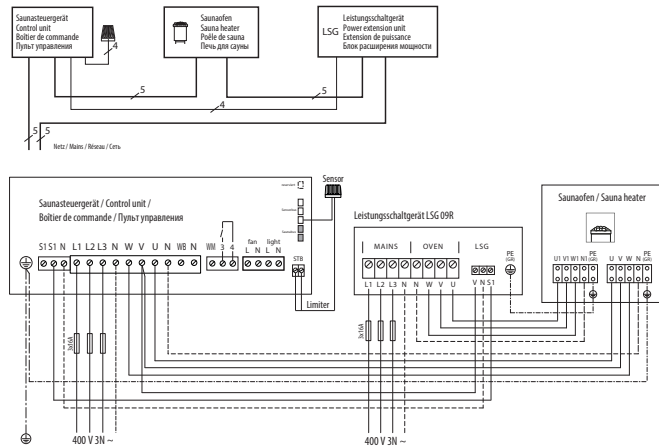
Also available in black

Connection diagram

6 - 9 kW



10,5 + 12 kW

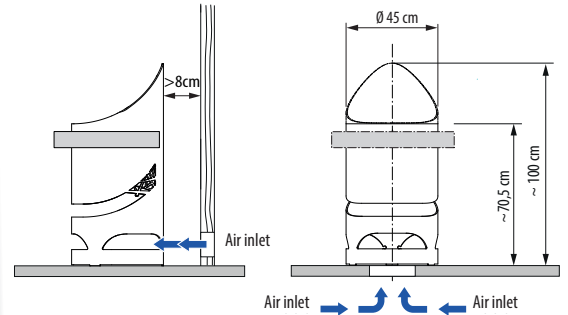


Technical specifications

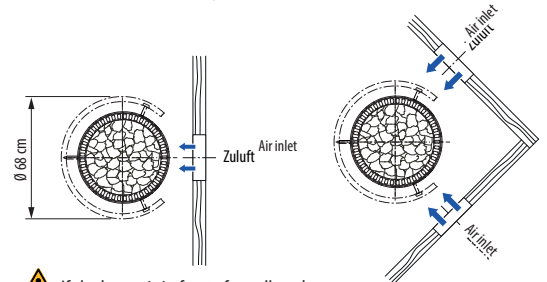
Power output	Connection mains - control unit	Connection control unit - heater	Connection mains - LSG	Connection LSG - heater	Connection control unit - LSG unit
6 kW	5 x 2,5 mm ²	5 x 1,5 mm ²	5 x 2,5 mm ²	5 x 1,5 mm ²	4 x 1,5 mm ²
7,5 kW					
9 kW					
10,5 kW					
12 kW					

All cross sections of a line are minimum diameters in mm² (copper wire).

Dimensions



- ⚠ If the heater is in the middle or in front of a glass wall, make sure that the supply air comes from below! If there is supply air from below, the drip tray can be omitted in case of fireproofed floor.



- ⚠ If the heater is in front of a wall, make sure that the supply air comes from the side

Refer to installation manual for further details.

Spare heating elements

Description	Item-no.
for 6,0 kW (3 x 2000 W)	2001 6499
for 7,5 kW (3 x 2500 W)	2001 6500
for 9,0 kW (3 x 3000 W)	2001 6501
for 10,5 kW (3 x 1500 W + 3 x 2000 W)	2001 6507 / 6499
for 12,0 kW (6 x 2000 W)	2001 6499

Power output	Electrical connection	external Fuse protection control unit	external Fuse protection LSG unit	Dimensions D x H in cm	For sauna cabin size	Min. size of air inlet and outlet	Weight without rocks	Stone filling	Power extension required	Suitable control units
6,0 kW	400 V 3N ~ 50 Hz	3 x 16 A	--	Zeus S Ø 45 x 100 cm	6 - 8 m ³	35 x 4 cm	Zeus S 67 kg	~25 kg	no	Compact D series EmoTec D series EmoStyle D/Hi series EmoTouch 3 series
7,5 kW					7 - 10 m ³	35 x 5 cm				
9,0 kW					9 - 14 m ³	35 x 6 cm				
10,5 kW				Zeus SL Ø 45 x 70 cm	11 - 15 m ³	35 x 6 cm				
12,0 kW					14 - 18 m ³	35 x 7 cm				