

PEB 36 / 36 H

Contactor box for power extension for sauna control units.

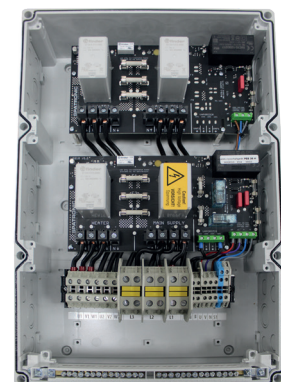
Professional grade contactor box for power extension for sauna control units. Provides the additional 36 kW switching capacity.

Your benefits:

- New improved design with extra large housing and built-in fuse box.
- Very low-noise operation.
- Durable, highly reliable construction.
- Fast and simple installation.
- Connection from all sides.
- With integrated fuses for individual protection of all three phases (replacement fuses included in delivery).
- **PEB 36 H:** With 2 × 18 kW output for heater and 6 kW output for vaporizer (for commercial Bi-O sauna heaters).
- In combination with a 9 kW (10 kW) sauna control units suitable for twin-circuit sauna heaters up to 45 kW (46 kW) power (with EOS Compact D18/H18 – up to 54 kW).
- Made in Germany quality from EOS.

Specifications and features:

Housing:	Shatter-resistant plastic, with two-part front cover
Switching capacity:	36 kW (sauna heater) 6 kW (vaporizer)
Power supply:	400 V 3N ~ 50/60 Hz
Weight:	ca. 6,5 kg
Dimensions (W x H x D):	315 x 450 x 155 mm
Installation:	Wall-mounting
Cable connections:	bottom or rear side

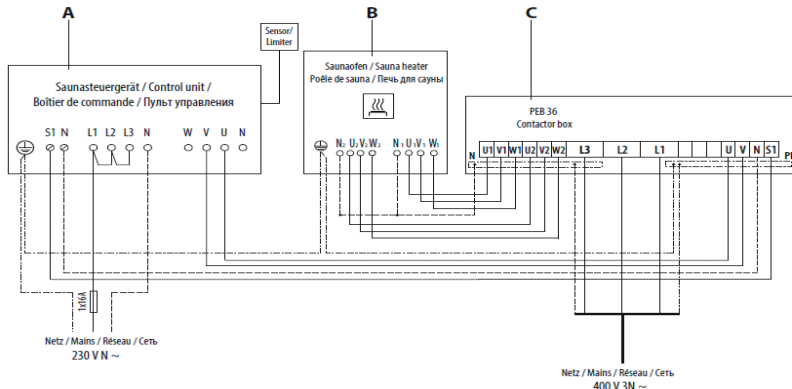


Service-friendly interior:

Simple, clearer arrangement of the installed components.
More space for connections thanks to the more compact design of the circuit boards.

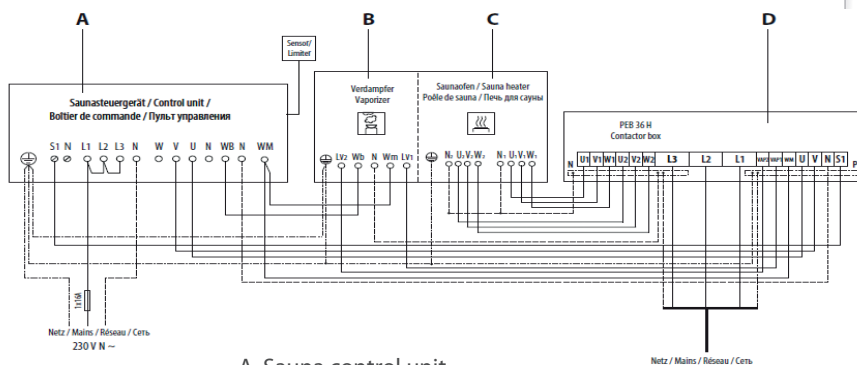
Connection plan

Connection example for PEB 36



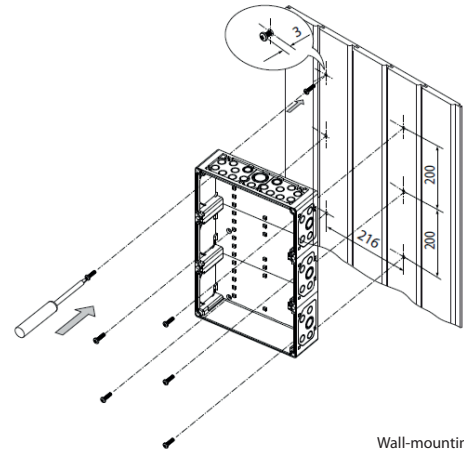
- A. Sauna control unit
- B. Sauna heater
- C. Power extension unit PEB 36

Connection example for PEB 36 H



- A. Sauna control unit
- B. Vaporizer, max. 6 kW
- C. Sauna heater
- D. Power extension unit PEB 36 H

Installation



Wall-mounting installation

Notice:

For PEB 36/36H, fuse links are required in accordance with the existing cable cross-sections on site. Fuse links are included in the scope of delivery!

Technical specifications

Item no.	Model	Power supply	Switching capacity	Dimensions W/H/D	Fuse protection for sauna heater	Ambient temperature (operation)	Weight without packing
94 8984	PEB 36	400 V 3N ~ 50/60 Hz	36,0 kW	450 / 315 / 155 mm	3 x 63 A	-10 to +35 °C	6,5 kg
94 8985	PEB 36 H		36,0 kW (heater) 6,0 kW (vaporizer)				